

August 2024

Upcoming Events

FlashPoints update - 6/5/2024

FlashPoints Remote Training

(for FlashPoints Customers, only)

Restaurant Training
Tuesdays @ 10 am ET
Fridays @ 1 pm ET

Industrial Training
Wednesdays @ 1 pm ET

Survey Training
Wednesdays @ 3 pm ET

All training classes are free for
FlashPoints Customers

Signup to request an invitation to a
class at:

www.flash-soft.com/training.php



Making Time for YOU!

FlashPoints allows you to do more in less time. Drawings are made faster, jobs are costed quicker, and submittal packages are assembled in seconds. What are you doing with all this extra time?

It's the middle of the summer. Are you getting out and taking advantage of the sunshine? Are you spending more time with family and friends? Let us know what you are doing for fun this summer. Drop us a line at support@flash-soft.com. We would love to hear from you.

Denis & Ray



Don't Forget to **ENHANCE** your
FlashPoints experience with
FlashPoints Survey!

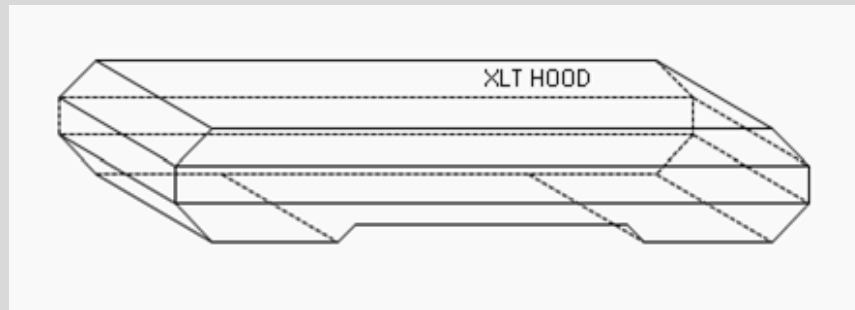
Available in the FlashPoints Store

The current version of FlashPoints is:

Version 4.9.1.0

Run FlashPoints to update it today!

XLT Hoods

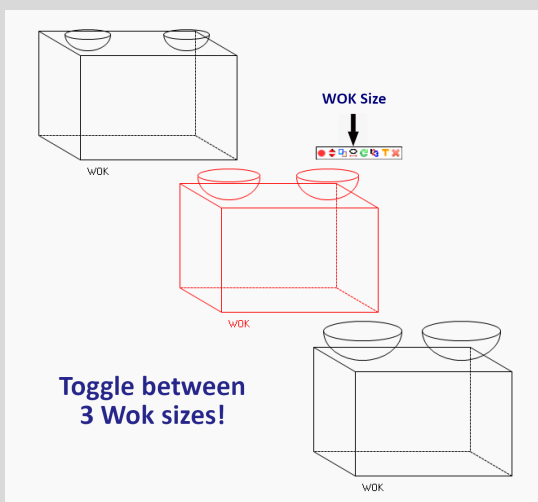


We've added XLT Hoods to FlashPoints!

If you have installed systems in large pizza chains, you have no doubt run into XLT Hoods over Chain Pizza Ovens. They have been popping up in pizza restaurants like, Dominos, Little Caesar's, and many more.

Now you can draw an XLT Hood instantly. As with all other hoods and appliances in FlashPoints, the hood can be resized, moved, labeled, and has a MiniBar of useful tools. Give it a try the next time you need a drawing for a pizza restaurant.

WOK-a, WOK-a, WOK-a !!!



You asked for it. We heard you!

Several people have asked for different sized woks for their drawings. We have added a new button to the WOK MiniBar that will let you toggle between 3 wok sizes: small, medium, and large.

FlashPoints Enterprise Discount Program

Companies with 5 or more copies of FlashPoints are eligible to join the FlashPoints Enterprise Discount Program. Contact Flash-Soft to see how your company can take advantage of these money and time saving perks, designed just for larger enterprises.

If you are a branch office of an Enterprise customer, contact your IT help desk to get in on the fun and start using FlashPoints. To see a list of FlashPoints Enterprise Customers, visit the FlashPoints New Customer Order Form at: www.flash-soft.com/fpstore/newcust.php



Flash-Soft, Inc, | 231 Pulaski Blvd | Bellingham, MA 02019 US

[Unsubscribe](#) | [Update Profile](#) | [Constant Contact Data Notice](#)



Try email marketing for free today!